



MetFit[®] MECHANICAL FITTINGS

ENGINEERED FOR DEPENDABILITY

HOW THEY WORK & WHY THEY ARE DIFFERENT

CONSISTENT, REPEATABLE INSTALLATION

- Simple one-step squeezing motion

COMPENSATES FOR COLD FLOW

- Ring maintains continuous pressure

REDUCES SENSITIVITY TO SCRATCHED PIPE

- Seals to smooth inside surface of pipe

GREATER MANUFACTURING QUALITY CONTROL

- Fewer parts — simple design

LONG LIFE

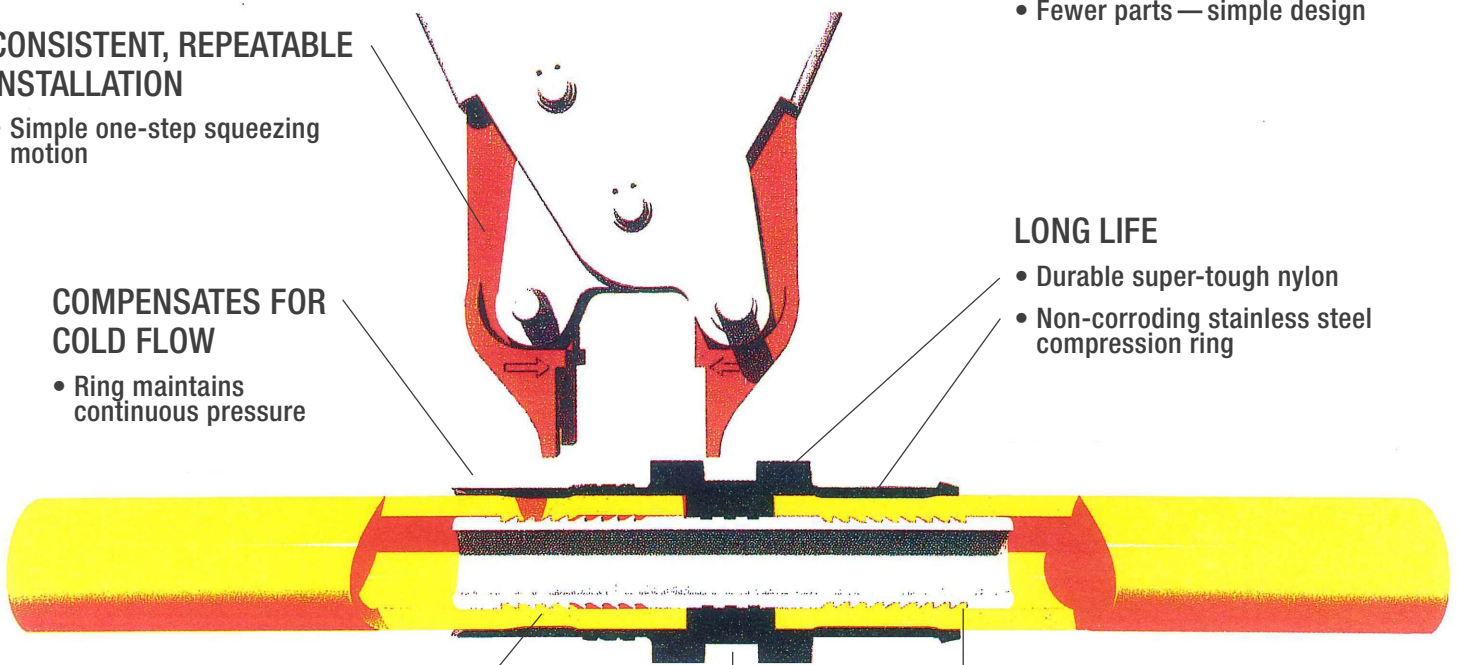
- Durable super-tough nylon
- Non-corroding stainless steel compression ring

INCREASED RELIABILITY

- Longer sealing surface

MOST COMPACT SIZE

- Fits in tighter spaces
- Less space on truck





MetFit[®] MECHANICAL FITTINGS

MATERIALS USED

SIMPLE DESIGN, FEWER PARTS

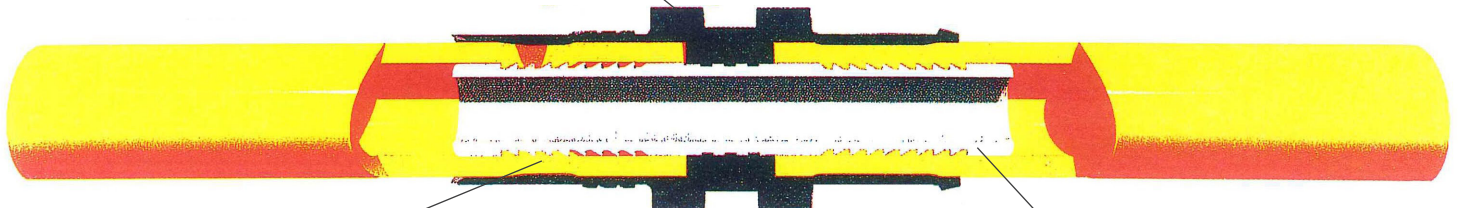
- Compression ring.
- Super-tough nylon body.
- Insert-molded stiffener.

ENGINEERED FOR DEPENDABILITY

The MetFit fitting construction is elegantly simple. The stiffener with its exterior sealing grooves is insert-molded into the super-tough nylon housing. The stainless steel compression ring is then pulled over the nylon compression ridges with a simple installation tool. The high compression force causes the pipe to cold flow into the stiffener sealing grooves, creating a hermetic seal on the inside surface.

BODY

- Dupont, Zytel[®] ST-801 BK-10.
- 100-percent virgin resin.
- Black in color.



RING

- Low carbon 316 stainless steel (annealed).
- Formed by deep-drawn stamping process.
- Passivated for added corrosion resistance.
- Each ring identified by size and lot number.
- Waxed for lubricity.

STIFFENER

- AISI-SAE 1008-1023 low-carbon steel.
- Cold-rolled DOM tubing.
- Zinc plated per ASTM B-633, Type 1 (Yellow).
- Sealing grooves on outside diameter.

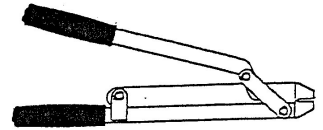


MetFit®

SERIES 200 1/2-INCH CTS INSTALLATION TOOL

727001 / FOR METFIT 1/2-INCH CTS, COUPLINGS, CAPS, ELLS AND TEES

Installation and maintenance instructions provided with tooling.



METFIT MECHANICAL FITTINGS 1/2-INCH CTS (5/8-INCH OD) INSTALLATION TOOL INSTRUCTIONS

INTRODUCTION

The MetFit Installation Tool 1/2-inch CTS (5/8-inch OD) is used to apply MetFit Mechanical Fittings to 1/2-inch CTS (5/8-inch OD) polyethylene gas tubing. Tube preparation and fitting installation procedures are described in the Instructions section.

The Maintenance section contains a maintenance and inspections procedure that enables the user to establish and maintain a tool certification program.

INSTRUCTIONS

PREPARATION AND ASSEMBLY

- To prepare the plastic tubing and assemble the fitting prior to crimping, use the following procedure:
- Cut end of tubing square.
- Remove burrs (formed by cutting) from the tubing.
- Mark the insertion depth on the tubing using a marking pen (insertion depth is 7/8 inch).
- Slide compression ring over end of tubing. Push tubing into fitting until end of tubing butts against shoulder inside the fitting. The mark should line up with the edge of the fitting (Figure 1).
- Fitting is now ready to be crimped.

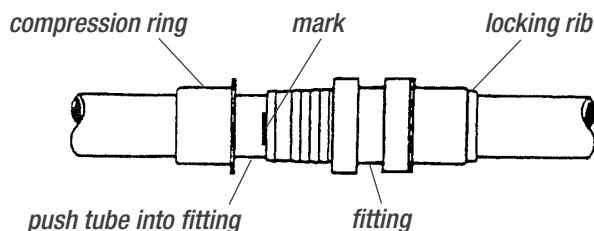


Figure 1

CRIMPING PROCEDURE

- Open the handles of the hand tool and place fitting in crimping jaws of tool, with stationary jaw in back of the fitting shoulder and moving jaw in back of the ring flange (Figure 2).
- Close the handles until the ring flange is against the fitting shoulder.
- Pull handles open and remove tool.
- Inspect to ensure the rings are bottomed out and are past locking grip (Figure 3).

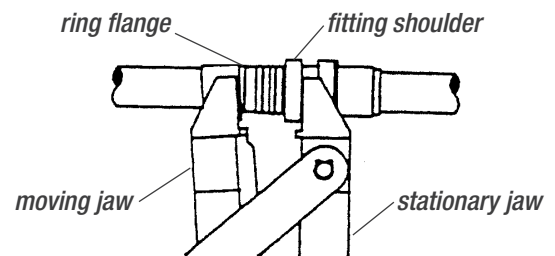


Figure 2

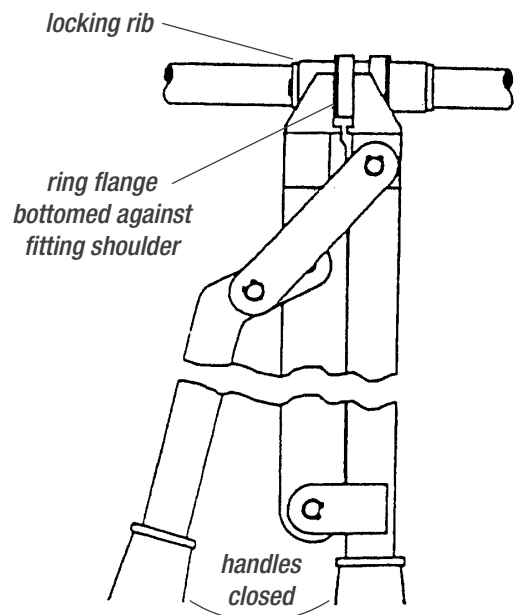


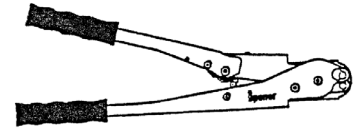
Figure 3



MetFit[®]

SERIES 200 V-TOOL

727007 / 36 RATCHET TEETH



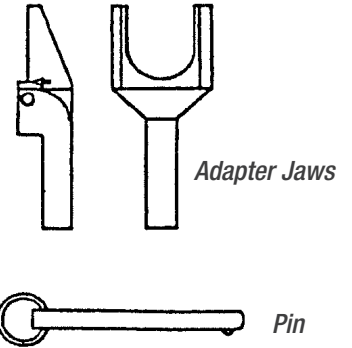
**INSTALLS CTS AND IPS SIZES WITH:
UNIVERSAL ADAPTER JAWS (727100)*
FOR 1/2-INCH IPS, 3/4-INCH IPS,
1-INCH IPS AND 1 1/4-INCH CTS**

**INSTALLS CTS SIZES WITH:
1/2-INCH CTS ADAPTER JAWS (727101)*
1-INCH CTS ADAPTER JAWS (727121)*
1 1/4-INCH CTS ADAPTER JAWS (727131)***

**INSTALLS IPS SIZES WITH:
1/2-INCH IPS ADAPTER JAWS (727102)*
3/4-INCH IPS ADAPTER JAWS (727112)*
1-INCH IPS ADAPTER JAWS (727131)***

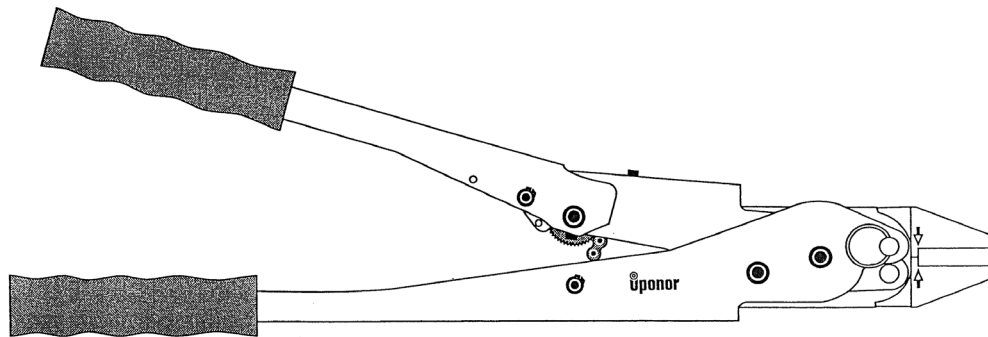
**V-TOOL INCLUDES:
ADAPTER JAW PINS (727401)**

**Products sold separately.*



METFIT V-TOOL

ASSEMBLES 1/2-INCH CTS TO 1 1/4-INCH CTS



MAINTENANCE AND INSPECTION PROCEDURE

The manufacturer recommends that the user perform an inspection once a month. This will assure that continued use of the tool will result in the same dependable and uniform connections for which the tool was designed. The frequency of the inspection may be adjusted to suit the user's requirements.

The frequency of an inspection depends on:

- The care, amount of use and handling of the tool.
- The presence of abnormal amounts of dust and dirt.
- The user's established standards.

With proper maintenance and inspection, these tools will provide years of satisfactory service.

CLEANING

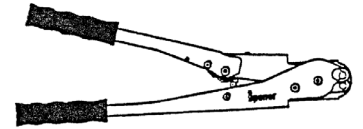
Immerse the tool in a reliable commercial degreasing compound to remove accumulated dirt, grease and foreign matter. Remove remaining degreasing compound with a cloth. When degreasing compounds are not available, the tool may be wiped clean with a cloth.



MetFit[®]

SERIES 200 V-TOOL

727007 / 36 RATCHET TEETH



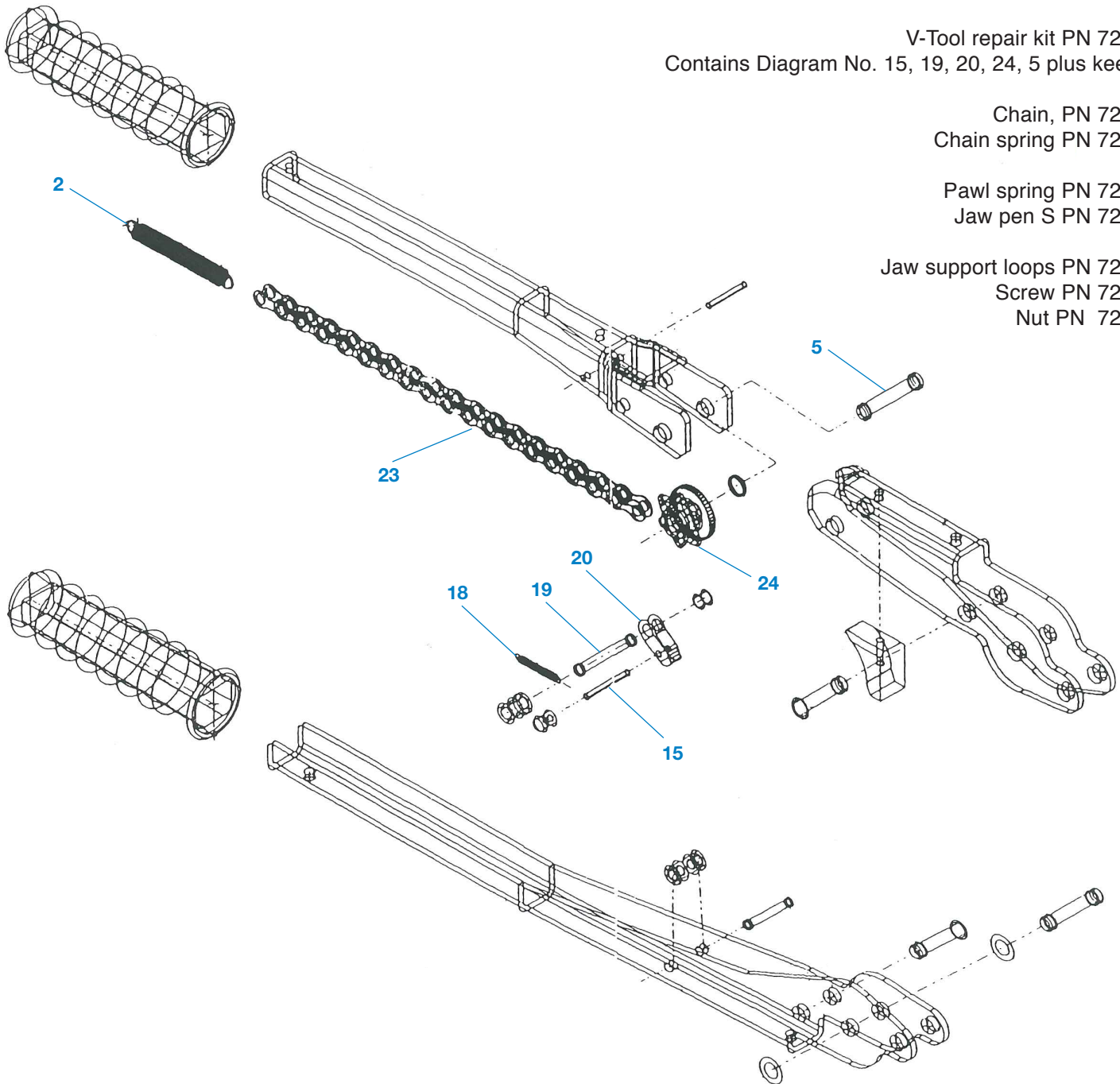
V-TOOLS REPAIR PARTS

V-Tool repair kit PN 727501
Contains Diagram No. 15, 19, 20, 24, 5 plus keepers

Chain, PN 727529
Chain spring PN 727514

Pawl spring PN 727515
Jaw pen S PN 727401

Jaw support loops PN 727010
Screw PN 727547
Nut PN 727548

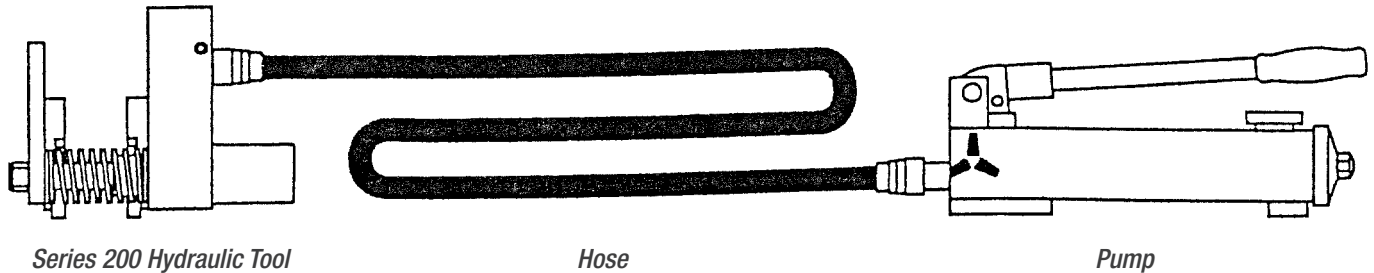




MetFit[®]

SERIES 200 HYDRAULIC TOOL SYSTEM (727016)

INCLUDES: 2-INCH IPS ADAPTERS, HYDRAULIC HOSE, HYDRAULIC PUMP



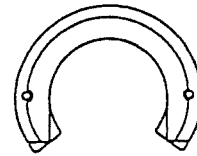
Series 200 Hydraulic Tool

Hose

Pump

PRODUCTS AVAILABLE SEPARATELY

- Series 200 hydraulic tool (727006)
- 2-inch IPS adapter jaws (727207)
- 1 1/4-inch IPS adapter jaws (727206)
- Hydraulic hose (727053)
- Hydraulic pump (727052)



Adapter Jaws

Installation and maintenance instructions provided with tooling.

METFIT MECHANICAL FITTINGS

INSTRUCTION FOR SERIES 200 HYDRAULIC APPLICATION TOOL

INTRODUCTION

This sheet provides instruction on product applications and a maintenance and inspection procedure for the MetFit Series 200 Hydraulic Tool (727006).

This tool is used to apply MetFit Mechanical fittings to 2-inch IPS. (Separate adapter jaws are required installation of 1 1/4-inch IPS and 2-inch IPS fittings. A separate adapter installation sheet describes the installation and use of these adapter jaws.)

The crimping head is self-lubricated, requires no adjustments and is activated by a hydraulic pump. Any hydraulic pump with a minimum hydraulic press of 2,000 psi will work as long as the hose has a proper fitting on the end.

Pipe preparation and fitting installation procedures are described in the Instructions section. The Maintenance section contains a maintenance and inspection procedure that will enable the use to establish a tool certification program.

INSTRUCTIONS

PREPARATION AND ASSEMBLY

To prepare the plastic pipe and assemble the fitting prior to crimping, use the following general procedure.

- a. Cut ends of the pipe square.
- b. Remove burrs (formed by cutting) from the plate.
- c. Mark the insertion depth on the pipe using a marking pen (insertion depth is 1 1/4-inch for the 1 1/4-inch IPS and 2-inch IPS fittings).
- d. Slide the compression ring over the end(s) of the pipe. Push pipe end into fitting until it bottoms. For repairs, refer to installation instructions packaged with the fittings.
- e. Fitting is now ready to be crimped.

PIPE READY TO INSERT INTO FITTING RING POSITIONED ON PIPE.

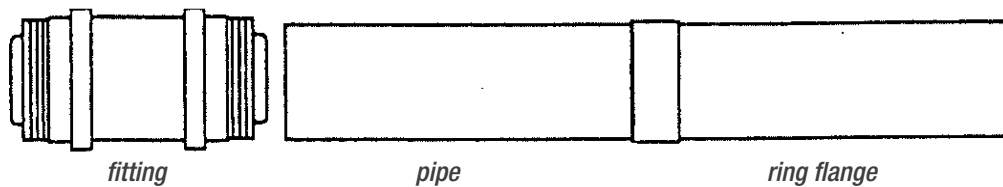


Figure 1

TOOL POSITIONED OVER PIPE AND FITTING.

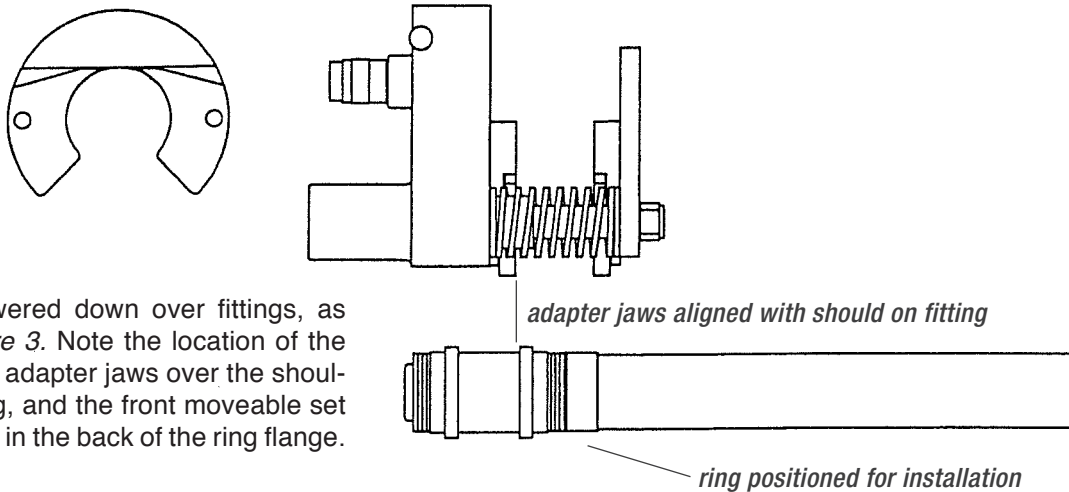


Figure 2

TOOL BEING LOWERED OVER FITTING AND RING.

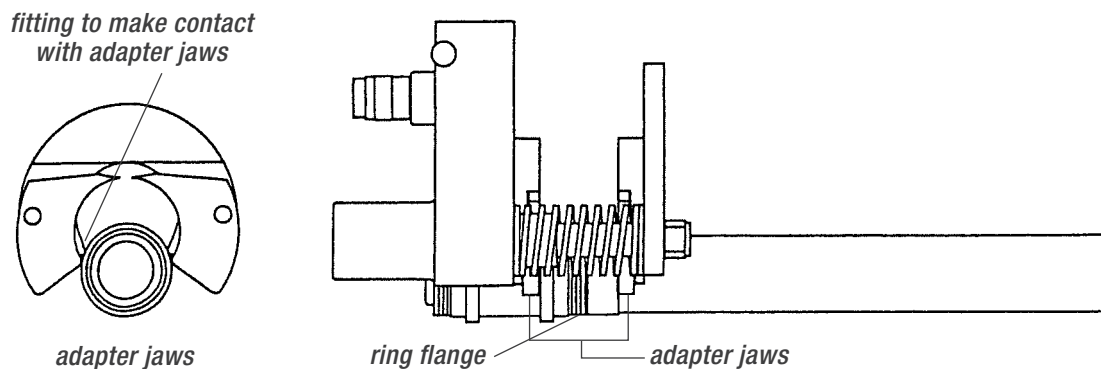


Figure 3

f. After the ring has been installed past the fitting's locking rib, release the hydraulic pump by turning the pump valve shown in *Figure 1* and remove the tool from the installed ring.

g. Inspect to insure rings are bottomed out sufficiently to pass the locking rib on the fitting. If this is not the case, rotate the tool 90 degrees and repeat the crimping procedure.



MetFit®

SERIES 200 HYDRAULIC TOOL SYSTEM (727016)

INCLUDES: 2-INCH IPS ADAPTERS, HYDRAULIC HOSE, HYDRAULIC PUMP

MAINTENANCE AND INSPECTION PROCEDURE

The manufacturer recommends that the user perform an inspection once a month. This will assure that continued use of the tool will result in the same dependable and uniform connections for which the tool was designed. The frequency of the inspection may be adjusted to suit the user's requirements.

The frequency of an inspection depends on:

- The care, amount of use and handling of the tool.
- The presence of abnormal amounts of dust and dirt.
- The user's established standards.

With proper maintenance and inspection, these tools will provide years of satisfactory service.

CLEANING

Immerse the tool in a reliable commercial degreasing compound to remove accumulated dirt, grease and foreign matter. Remove remaining degreasing compound with a cloth. When degreasing compounds are not available, the tool may be wiped clean with a cloth.

VISUAL INSPECTION

While the rugged design and construction of this hydraulic tool precludes any damage from wear during normal use, abnormal use or accidental occurrences can still possibly cause damage to the tool. Because of this, operators should visually inspect the tool for worn or damaged parts. If parts are worn or damaged, return the tool to the manufacturer for repair.



MetFit®

SERIES 200 HYDRAULIC TOOL SYSTEM (727016)

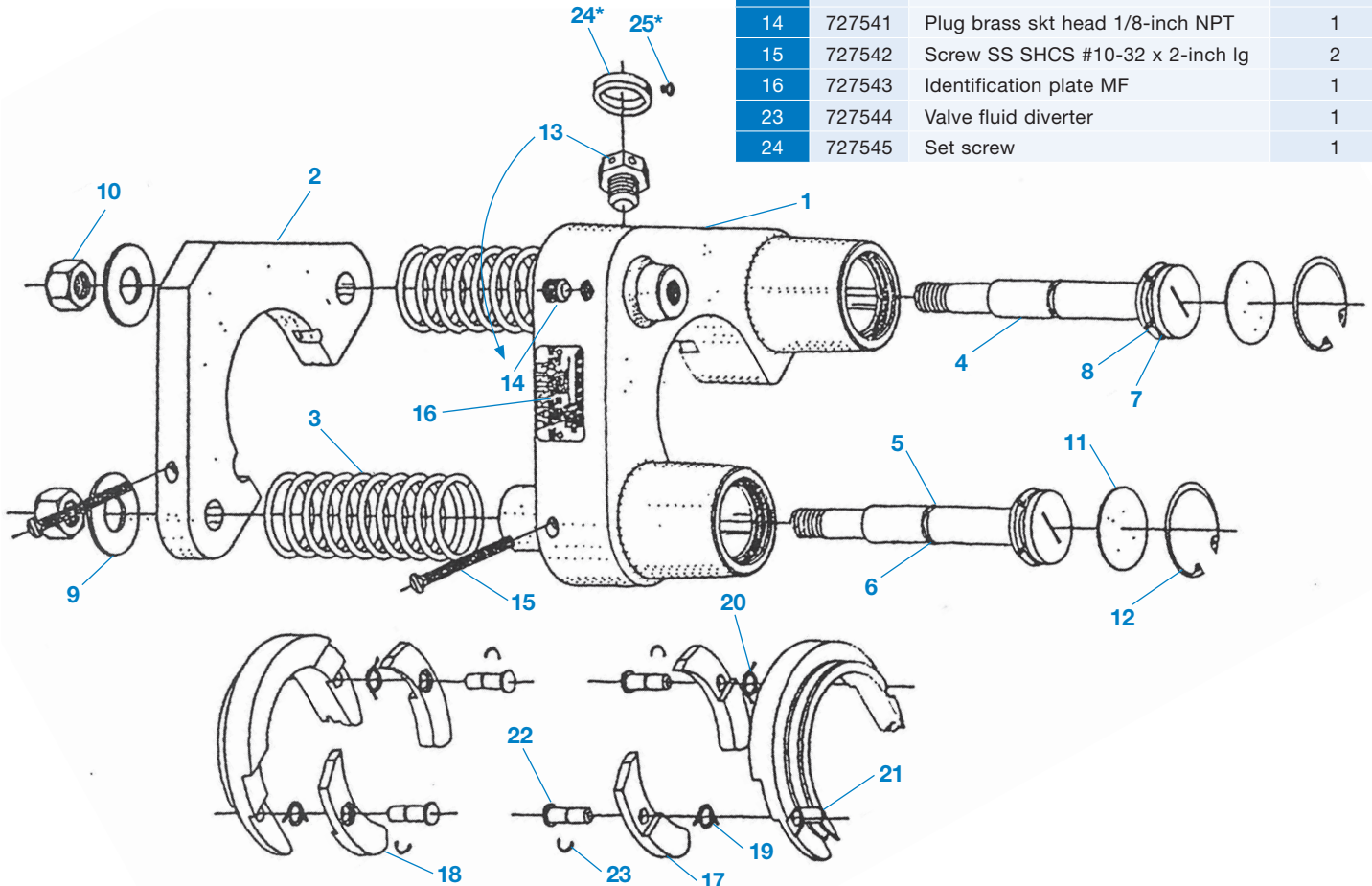
INCLUDES: 2-INCH IPS ADAPTERS, HYDRAULIC HOSE, HYDRAULIC PUMP

METFIT HYDRAULIC TOOL SERIES 200 ISOMETRIC VIEW PN 727006

| ASSEMBLY P/N 727207 JAW KIT 2-INCH | | | |
|------------------------------------|--------|----------------------------|----------|
| NO. | PART | DESCRIPTION | QUANTITY |
| 17 | 727422 | Jaw Plate 2-inch RH | 1 |
| 18 | 727423 | Jaw Plate 2-inch LH | 1 |
| 19 | 727502 | Torsion spring RH | 1 |
| 20 | 727503 | Torsion spring LH | 1 |
| 21 | 727507 | Jaw insert | 2 |
| 22 | 727242 | Pivot pin | 4 |
| 23 | 727504 | Retaining ring 2000-25 IRR | 4 |

* 24 & 25 to be discontinued.

| ASSEMBLY P/N 727006 HYDRAULIC TOOL | | | |
|------------------------------------|--------|----------------------------------|----------|
| NO. | PART | DESCRIPTION | QUANTITY |
| 1 | 727530 | Body MF HYD tool | 1 |
| 2 | 727531 | Plate MF HYD tool | 1 |
| 3 | 727532 | Spring R Barns C1460-148-3500m | 2 |
| 4 | 727533 | Piston MF HYD tool | 2 |
| 5 | 727534 | Ring backup Teflon #2-014 | 2 |
| 6 | 720552 | O-ring #2-014 | 2 |
| 7 | 727535 | Ring backup Teflon #2-214 | 2 |
| 8 | 720568 | O-ring #2-214 | 2 |
| 9 | 727536 | Washer flat 1/2-inch | 2 |
| 10 | 727537 | Nut-plated hex head 1/2-20 | 2 |
| 11 | 727538 | Cover aluminum 1.415 OK x 0.045 | 2 |
| 12 | 727539 | Ring retaining IRR 3000-X143 | 2 |
| 13 | 727546 | Valve relief OSECO OUT-1 | 1 |
| 14 | 727541 | Plug brass skt head 1/8-inch NPT | 1 |
| 15 | 727542 | Screw SS SHCS #10-32 x 2-inch lg | 2 |
| 16 | 727543 | Identification plate MF | 1 |
| 23 | 727544 | Valve fluid diverter | 1 |
| 24 | 727545 | Set screw | 1 |





MetFit®

FITTINGS & TOOLS

| CAPS | | | |
|------------------------------|--------------|---------|------------|
| | PRODUCT CODE | BAG QTY | LIST PRICE |
| ½" CTS .090 WALL SDR 7 | 605063000012 | 25 | 11.08 |
| ½" CTS .062 WALL SDR 10 | 605063000072 | 25 | 11.34 |
| ½" IPS .090 WALL SDR 9.3 | 605084000052 | 25 | 18.48 |
| ¾" CTS .090 WALL SDR 9.8 | 605088000062 | 25 | 18.48 |
| ¾" IPS .095 WALL SDR 11 | 605105000082 | 25 | 20.58 |
| 1" CTS .090 WALL SDR 12.5 | 605113000002 | 20 | 23.90 |
| 1" CTS .099 WALL SDR 11/11.5 | 605113000092 | 20 | 22.85 |
| 1" IPS .119 WALL SDR 11 | 605132000082 | 20 | 41.58 |
| 1¼" CTS .090 WALL SDR 15.3 | 605138000082 | 10 | 42.57 |
| 1¼" IPS .166 WALL SDR 10 | 605166000072 | 10 | 50.19 |
| 1¼" IPS .151 WALL SDR 11 | 605166000082 | 10 | 51.92 |
| 2" IPS .216 WALL SDR 11 | 605238000082 | 10 | 62.54 |

| COUPLINGS | | | |
|------------------------------|--------------|---------|------------|
| | PRODUCT CODE | BAG QTY | LIST PRICE |
| ½" CTS .090 WALL SDR 7 | 600063063012 | 25 | 12.15 |
| ½" CTS .062 WALL SDR 10 | 600063063072 | 25 | 12.42 |
| ½" IPS .090 WALL SDR 9.3 | 600084084052 | 25 | 14.13 |
| ¾" CTS .090 WALL SDR 9.8 | 600088088062 | 25 | 14.96 |
| ¾" IPS .095 WALL SDR 11 | 600105105082 | 25 | 24.95 |
| 1" CTS .099 WALL SDR 11/11.5 | 600113113092 | 10 | 24.95 |
| 1" CTS .090 WALL SDR 12.5 | 600113113002 | 10 | 27.74 |
| 1" IPS .119 WALL SDR 11 | 600132132082 | 10 | 31.36 |
| 1¼" CTS .090 WALL SDR 15.3 | 600138138082 | 10 | 48.43 |

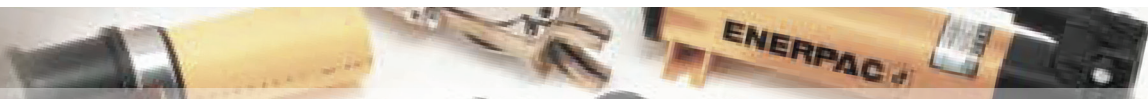
| REPAIR COUPLINGS | | | |
|--------------------------|--------------|---------|------------|
| | PRODUCT CODE | BOX QTY | LIST PRICE |
| 1¼" IPS .151 WALL SDR 11 | 601166166082 | 25 | 56.96 |
| 1¼" IPS .166 WALL SDR 10 | 601166166072 | 25 | 58.41 |
| 1½" IPS .173 WALL SDR 11 | 601190190082 | 25 | 64.09 |
| 2" IPS .216 WALL SDR 11 | 601238238082 | 25 | 78.98 |

NOTE: IPS is used throughout this catalog unless CTS is designated.



MetFit[®]

FITTINGS & TOOLS



| 90 DEGREE ELBOWS | | | |
|-------------------------------|--------------|---------|------------|
| | PRODUCT CODE | BAG QTY | LIST PRICE |
| 1/2" CTS .090 WALL SDR 7 | 602063063012 | 25 | 28.88 |
| 1/2" IPS .090 WALL SDR 9.3 | 602084084052 | 25 | 33.21 |
| 3/4" CTS .090 WALL SDR 9.8 | 602088088062 | 10 | 34.65 |
| 3/4" IPS .095 WALL SDR 11 | 602105105082 | 10 | 47.57 |
| 1" CTS .099 WALL SDR 11/11.5 | 602113113092 | 10 | 51.23 |
| 1" CTS .090 WALL SDR 12.5 | 602113113002 | 10 | 53.67 |
| 1" IPS .119 WALL SDR 11 | 602132132082 | 10 | 54.29 |
| 1 1/4" CTS .090 WALL SDR 15.3 | 602138138082 | 5 | 57.89 |
| 1 1/4" IPS .166 WALL SDR 10 | 602166166072 | 5 | 95.29 |
| 1 1/4" IPS .151 WALL SDR 11 | 602166166082 | 5 | 98.16 |
| 2" IPS .216 WALL SDR 11 | 602238238082 | 5 | 136.01 |

| TEES | | | |
|-------------------------------|--------------|---------|------------|
| | PRODUCT CODE | BAG QTY | LIST PRICE |
| 1/2" CTS .090 WALL SDR 7 | 603063063012 | 25 | 29.40 |
| 1/2" IPS .090 WALL SDR 9.3 | 603084084052 | 25 | 29.40 |
| 3/4" CTS .090 WALL SDR 11 | 603088088062 | 5 | 42.92 |
| 3/4" IPS .095 WALL SDR 11 | 603105105082 | 5 | 42.92 |
| 1" CTS .099 WALL SDR 11/11.5 | 603113113092 | 5 | 56.45 |
| 1" CTS .090 WALL SDR 12.5 | 603113113002 | 5 | 59.14 |
| 1" IPS .119 WALL SDR 11 | 603132132082 | 5 | 59.14 |
| 1 1/4" CTS .090 WALL SDR 15.3 | 603138138082 | 5 | 86.00 |
| 1 1/4" IPS .166 WALL SDR 10 | 603166166072 | 5 | 86.00 |
| 1 1/4" IPS .151 WALL SDR 11 | 603166166082 | 5 | 86.00 |
| 2" IPS .216 WALL SDR 11 | 603238238082 | 5 | 86.00 |

NOTE: IPS is used throughout this catalog unless CTS is designated.



MetFit®

FITTINGS & TOOLS



| REDUCERS | | | | | | |
|----------------------|------|----------------------|------|--------------|---------|------------|
| | SDR | | SDR | PRODUCT CODE | BAG QTY | LIST PRICE |
| 1/2" CTS .090 WALL | 7 | 1/2" CTS .062 WALL | 10 | 604063063002 | 20 | 17.33 |
| 1/2" IPS .090 WALL | 9.3 | 1/2" CTS .090 WALL | 7 | 604084063002 | 20 | 31.19 |
| 3/4" CTS .090 WALL | 9.8 | 1/2" CTS .090 WALL | 7 | 604088063012 | 20 | 31.19 |
| 3/4" CTS .090 WALL | 9.8 | 1/2" IPS .090 WALL | 9.3 | 604088084052 | 20 | 32.34 |
| 3/4" IPS .095 WALL | 11 | 1/2" CTS .090 WALL | 7 | 604105063002 | 20 | 32.40 |
| 3/4" IPS .095 WALL | 11 | 1/2" IPS .090 WALL | 9.3 | 604105084002 | 20 | 34.65 |
| 3/4" IPS .095 WALL | 11 | 3/4" CTS .090 WALL | 9.8 | 604105088062 | 20 | 34.65 |
| 1" CTS .099 WALL | 11.5 | 1/2" IPS .090 WALL | 9.3 | 604113084062 | 20 | 39.27 |
| 1" CTS .090 WALL | 12.5 | 1/2" IPS .090 WALL | 9.3 | 604113084012 | 20 | 40.43 |
| 1" CTS .099 WALL | 11.5 | 3/4" CTS .090 WALL | 9.8 | 604113088062 | 20 | 40.43 |
| 1" CTS .090 WALL | 12.5 | 3/4" CTS .090 WALL | 9.8 | 604113088002 | 20 | 40.43 |
| 1" CTS .090 WALL | 12.5 | 3/4" IPS .095 WALL | 11 | 604113105002 | 20 | 34.65 |
| 1" CTS .099 WALL | 11.5 | 3/4" IPS .095 WALL | 11 | 604113105012 | 20 | 34.65 |
| 1" CTS .099 WALL | 11.5 | 1/2" CTS .090 WALL | 7 | 604113063012 | 20 | 34.16 |
| 1" CTS .090 WALL | 12.5 | 1/2" CTS .090 WALL | 7 | 604113063002 | 20 | 35.85 |
| 1" IPS .119 WALL | 11 | 1/2" CTS .090 WALL | 7 | 604132063002 | 10 | 46.20 |
| 1" IPS .119 WALL | 11 | 1/2" IPS .090 WALL | 9.3 | 604132084002 | 10 | 46.20 |
| 1" IPS .119 WALL | 11 | 3/4" CTS .090 WALL | 9.8 | 604132088002 | 10 | 46.20 |
| 1" IPS .119 WALL | 11 | 3/4" IPS .095 WALL | 11 | 604132105002 | 10 | 46.20 |
| 1" IPS .119 WALL | 11 | 1" CTS .090 WALL | 12.5 | 604132113002 | 10 | 56.20 |
| 1" IPS .119 WALL | 11 | 1" CTS .099 WALL | 11.5 | 604132113092 | 10 | 46.20 |
| 1 1/4" CTS .090 WALL | 15.3 | 1/2" CTS .090 WALL | 7 | 604138063012 | 10 | 51.98 |
| 1 1/4" CTS .090 WALL | 15.3 | 1/2" IPS .090 WALL | 9.3 | 604138084052 | 10 | 57.75 |
| 1 1/4" CTS .090 WALL | 15.3 | 3/4" CTS .090 WALL | 9.8 | 604138088062 | 10 | 57.75 |
| 1 1/4" CTS .090 WALL | 15.3 | 3/4" IPS .095 WALL | 11 | 604138105082 | 5 | 51.98 |
| 1 1/4" CTS .090 WALL | 15.3 | 1" CTS .099 WALL | 11.5 | 604138113092 | 5 | 51.98 |
| 1 1/4" CTS .090 WALL | 15.3 | 1" CTS .090 WALL | 12.5 | 604138113002 | 5 | 51.98 |
| 1 1/4" CTS .090 WALL | 15.3 | 1" IPS .119 WALL | 11 | 604138132082 | 5 | 51.98 |
| 2" IPS .216 WALL | 11 | 1 1/4" IPS .166 WALL | 10 | 604238166072 | 5 | 95.29 |
| 2" IPS .216 WALL | 11 | 1 1/4" IPS .151 WALL | 11 | 604238166082 | 5 | 95.29 |

NOTE: IPS is used throughout this catalog unless CTS is designated.



MetFit® FITTINGS & TOOLS

TOOLS / KITS / CUTTERS

| | PRODUCT CODE | BOX QTY | LIST PRICE |
|---|--------------|---------|------------|
| ½" CTS – ¼" CTS SERIES 200 V TOOL (INCLUDING PINS) | 727007 | 1 | 642.68 |
| ½" CTS – 1½" IPS, ¾" IPS, 1" CTS UNIVERSAL ADAPTOR JAWS (INCLUDING PINS) | 727100 | 1 | 97.02 |
| ½" CTS ADAPTOR JAWS (SET OF 2) FOR V-TOOL | 727101 | 1 | 60.64 |
| ½" IPS – ¾" CTS ADAPTOR JAWS (SET OF 2) FOR V-TOOL | 727102 | 1 | 60.64 |
| 1" CTS ADAPTOR JAWS (SET OF 2) FOR V-TOOL | 727121 | 1 | 60.64 |
| 1" IPS – 1¼" CTS ADAPTOR JAWS (SET OF 2) V-TOOL | 727131 | 1 | 72.77 |
| ¾" IPS ADAPTOR JAWS (SET OF 2) FOR V-TOOL | 727112 | 1 | 72.77 |
| ½" CTS – ¼" CTS PINS (SET OF 2) FOR V-TOOL | 727401 | 1 | 18.00 |
| SERIES 200 HYDRAULIC TOOL WITH 2" IPS ADAPTOR JAWS | 727006 | 1 | 970.20 |
| RELIEF VALVE FOR SERIES 200 HYDRAULIC TOOL | 727546 | 1 | 86.47 |
| HYDRAULIC PUMP-DUAL STAGE | 727052 | 1 | 424.20 |
| HYDRAULIC HOSE | 727053 | 1 | 97.02 |
| SERIES 200 HYDRAULIC SYSTEM WITH 2" IPS JAWS INCLUDES HYDRAULIC TOOL, PUMP, HOSE | 727016 | 1 | 1443.17 |
| SERIES 200 HYDRAULIC SYSTEM WITH 1¼" & 2" IPS JAWS INCLUDES HYDRAULIC TOOL, PUMP, HOSE | 727018 | 1 | 1617.77 |
| 1¼" IPS HYDRAULIC ADAPTOR JAWS | 727206 | 1 | 186.90 |
| 1½" IPS HYDRAULIC ADAPTOR JAWS | 727208 | 1 | 194.25 |
| 2" IPS HYDRAULIC ADAPTOR JAWS | 727207 | 1 | 210.00 |
| RATCHET MECHANICAL TOOL | 727013 | 1 | 537.00 |
| ½" CTS - 1" CTS INSTALLATION TOOL | 727011 | 1 | 299.25 |
| ½" CTS INSTALLATION TOOL (NUTCRACKER) | 727001 | 1 | 246.89 |
| METFIT® TOOL KIT INCLUDES 1 EACH OF THE FOLLOWING ITEMS: 1. TOOL BOX 2. 727007 V-TOOL 3. 727100 UNIVERSAL JAW 4. 727131 1" IPS/ 1¼" CTS JAW 5. 727006 HYDRO TOOL WITHOUT 2" JAWS 6. 727206 1¼" IPS JAWS 7. 727208 1½" IPS JAWS 8. 727052 HYDRAULIC PUMP 9. 727053 HYDRAULIC HOSE | 727020 | 1 | 2750.00 |
| METFIT® TOOL KIT INCLUDES SAME AS 727020 BUT ALSO INCLUDES ½" CTS INSTALLATION TOOL (NUTCRACKER) | 727021 | 1 | 3050.00 |

NOTE: IPS is used throughout this catalog unless CTS is designated.